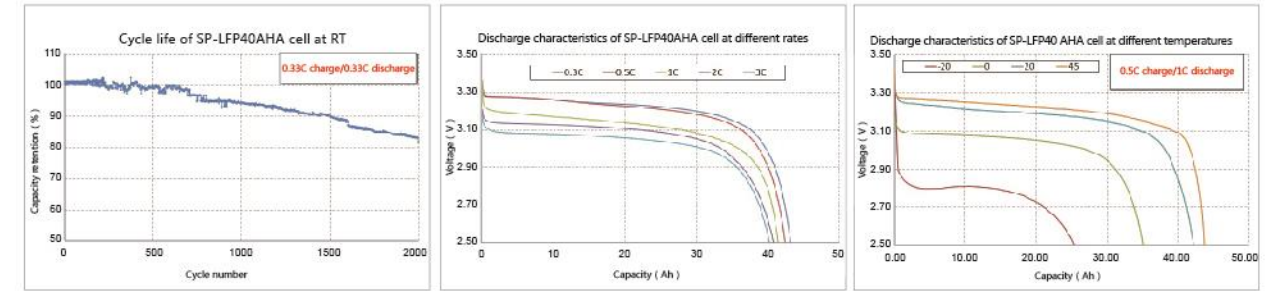
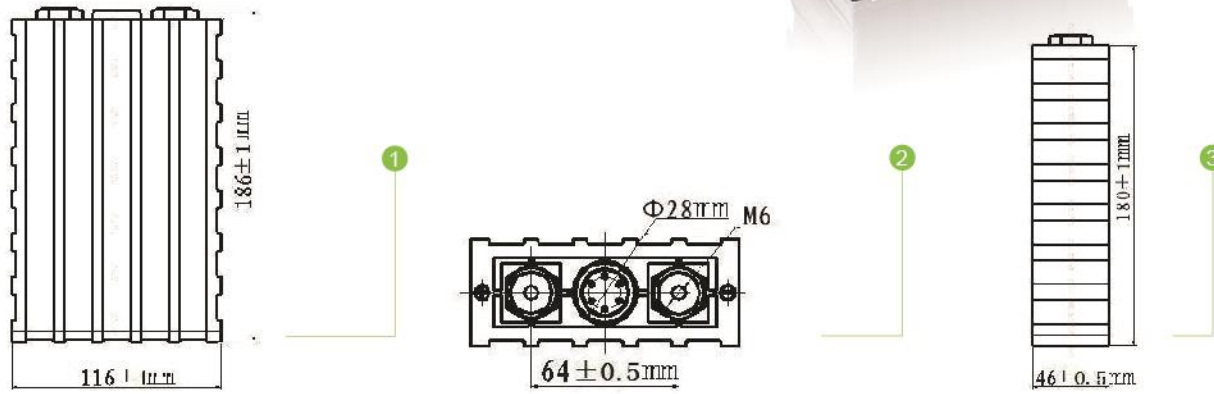


CELL TYPE

SP-LFP40AHA



Applications :
EV, energy storage & other power source system ;



CYCLING PERFORMANCE

DIFFERENT RATE

DIFFERENT TEMPERATURE

Item	Specification	Remark
Product Model	SP-LFP40AHA	
Nominal Capacity	40.0Ah	
Nominal Voltage	3.2V	
Weight	1.5±0.1kg	
AC Impedance	≤0.8mΩ	AC 1kHz
Cycle Life	≥2000 Cycles	80%DOD, Capacity Retention≥80%
Self-discharge Rate	≤5%	25°C, 1 month
Dimension	Height	186±1
	Width	116±1
	Thickness	46±0.5
CC&CV Charge	Standard Current	13A
	Max. Continues Current	2C(80A)
	Limited Voltage	3.65V
	Cut-off Current	0.8A
Discharge	Standard Current	13A
	Max. Continues Current	3C(120A)
	End Voltage	2.5 V
Operation Temperature	Charge	0°C ~ 45°C
	Discharge	-20°C ~ 55°C
Storage	-10°C ~ 45°C 25% ~ 85% RH	30% ~ 50%SOC



Product features

- ◆ Long cycle life , ≥ 2000 cycles;
- ◆ Good performance at high/low temperature;
- ◆ Excellent safety performance;
- ◆ 3C high rate continuous discharge;
- ◆ Fast charge at 2C rate;
- ◆ Automatic production, good consistency;
- ◆ Environment-friendly;